

EL[®]MARK

The Brand of Electricity

FRANK SERIES



GENERAL INFORMATION »

- ∴ Input Voltage: 220-240VAC
- ∴ Lamp holder: E27
- ∴ Material: Metal base& textile shade
- ∴ Color of the body: Grey
- ∴ Lamps: Not Included, max 40W
- ∴ IP Rate: IP20

FEATURES »

- ∴ Stylish and modern
- ∴ Made of black colour metal base with adjustable arm and grey textile shade
- ∴ Environmentally friendly - no mercury and lead
- ∴ No ultraviolet and infrared rays
- ∴ Resistant to shock and vibration stable body
- ∴ Low heat emission

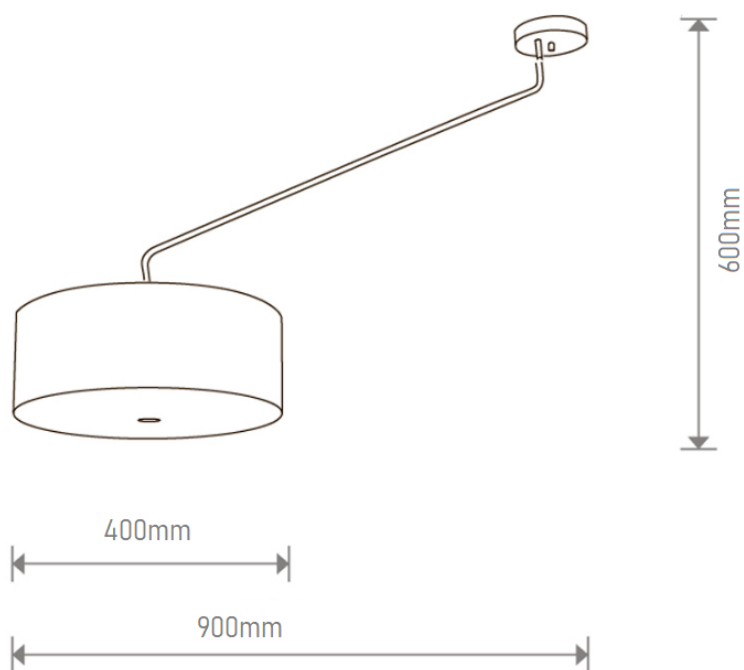
AREAS OF APPLICATION »

- ∴ General illumination
- ∴ Domestic applications
- ∴ Home interior
- ∴ Restaurants
- ∴ Hotels

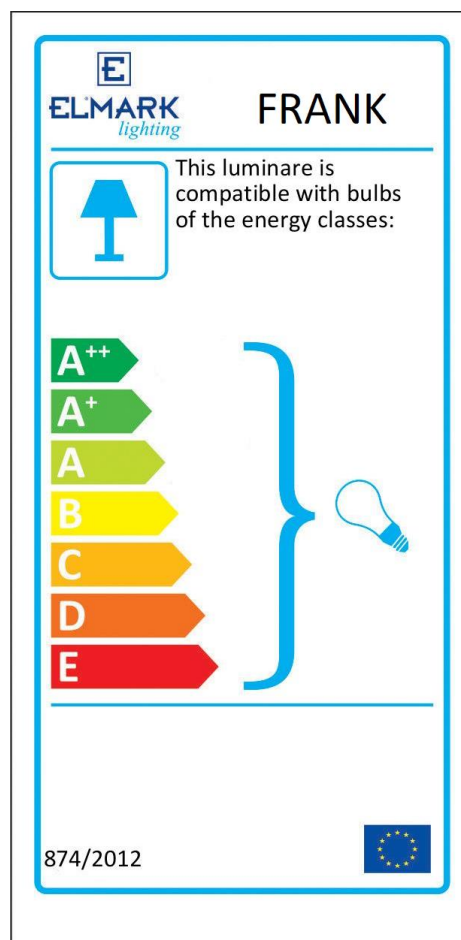
PRODUCT DETAILS »

Catalogue number	Description	Colour	Lamp holder
955FRANK3/GR	Pendant	Grey	1xE27

DIMENSIONS »



ADDITIONAL INFORMATION »



Catalogue number	Barcode	Packing/ Box (pcs)
955FRANK3/GR	3800131228475	1/1

